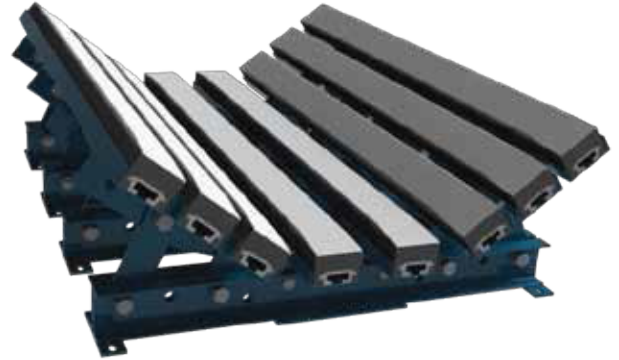


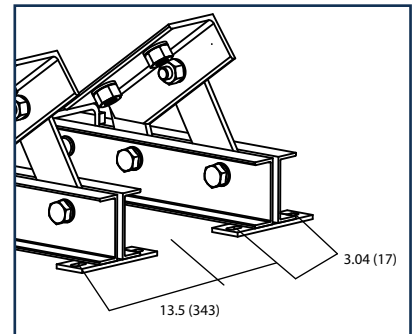
# WARRIOR Impact Bed

## Protection Guaranteed

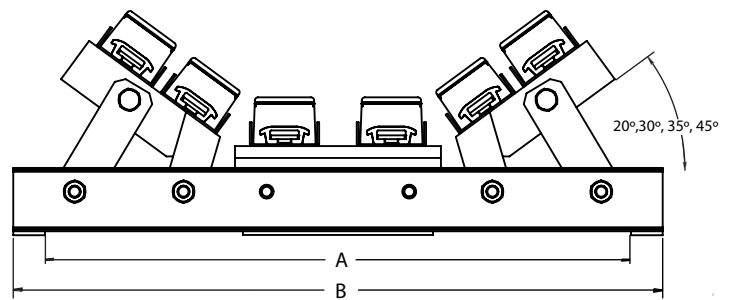
The Warrior Impact Bed stabilizes and supports the conveyor belt during loading, defending it from damage. The stiff, rigid frame and soft rubber bars of the Warrior cushion the belt and absorb impact. The end result is *longer belt life, eliminated spillage and decreased O&M costs.*



- Rubber bars absorb impact to protect conveyor belt
- Durable frame of steel supports impact on the bars
- “Fine-Tune” wing adjustment for optimum sealing
- Wings and center sections slide in and out for easy access
- Impact bar change outs are quick-keeping downtime to a minimum
- Meets CEMA design standards:
- No.502-1998 & 575-2000



WARRIOR IMPACT BED				
Belt Width in (mm)	# of Bars	Part Number	Standard Base	
			A (mm)	B (mm)
24 (500-650)	6	BIBT0024D1W0	36 (914)	33(838)
30 (650-800)	6	BIBT0030D1W0	42(1066)	39(991)
36(800-1000)	9	BIBT0036D1W0	48(1219)	45(1143)
42(1000-1200)	9	BIBT0042D1W0	54(1317)	51(1295)
48(1200-1400)	9	BIBT0048D1W0	60(1529)	57(1448)
54(1400-1600)	9	BIBT0054D1W0	66(1676)	63(1600)
60(1600-1800)	12	BIBT0060D1W0	72(1829)	69(1752)
72(1800-2000)	15	BIBT0072D1W0	84(2133)	81(2057)



- It is important to ensure that adequate power is available in the conveyor drive to compensate for additional frictional drag when installing one or more Warrior Impact Beds.
- The bars of the Warrior Impact Bed are set below the unloaded belt’s line of travel in the center of the bed. This ensures that the belt will absorb impact without continuous friction and wear if the belt is running empty. The wing bars on the sides of the cradle are installed in line with the idlers to allow effective sealing of the transfer point.

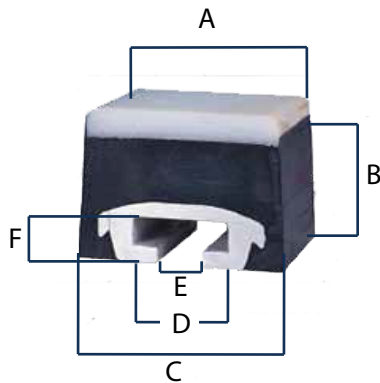
- Standard Base Stringer Width:  
Belt Width plus 12 in. (305 mm)
- Mounting Center Width:  
Belt Width plus 9 in. (229 mm).

# WARRIOR Impact Bars

## Warrior Impact Bar

**Product Number** BIBT0L048

\*\*\*Part number is for 48" (1220 mm) bar, custom lengths are available



## UHMW 48 inch Bar

<b>A</b>	<b>3.7 (94)</b>
<b>B</b>	<b>3.0 (75)</b>
<b>C</b>	<b>4.0 (102)</b>
<b>D</b>	<b>1.5(38)</b>
<b>E</b>	<b>.75(19)</b>
<b>F</b>	<b>.51(13)</b>

## WARRIOR IMPACT BAR CHARACTERISTICS

- Coefficient of Friction: 0.5
- Service Temperature Range: -20° to 140°F (-29° to 60° C)

## WARRIOR IMPACT BAR CONSTRUCTION

- Fasteners: 1/2 in. diameter T-Bolts
- T-Slot: Aluminum
- Bearing Layer: UHMW Polyurethane
- Absorption Layer: 50-Durometer SBR Rubber

## CHEMICAL EXPOSURE

- Warrior Impact Bars can be used with most industrial chemicals.



**BENETECH**®

Please consult your Benetech Representative  
for additional information.

Global Headquarters, Benetech, Inc. | p: +1-630-844-1300  
2245 Sequoia Drive, Suite 300, | f: +1-630-844-8690  
Aurora, Illinois 60506 | www.benetechglobal.com  
USA