

Return Idler Basket

Designed to prevent malfunctioning Return Idlers from falling on workers and equipment below

Easy to Install

- Large openings eliminate build-up
- “Snaps” on easily with beam-clamp assembly
- No welding or cutting required

Easy to Maintain

- Light weight design allows one person to handle guard
- “Snap” guards off to the service idlers or belts

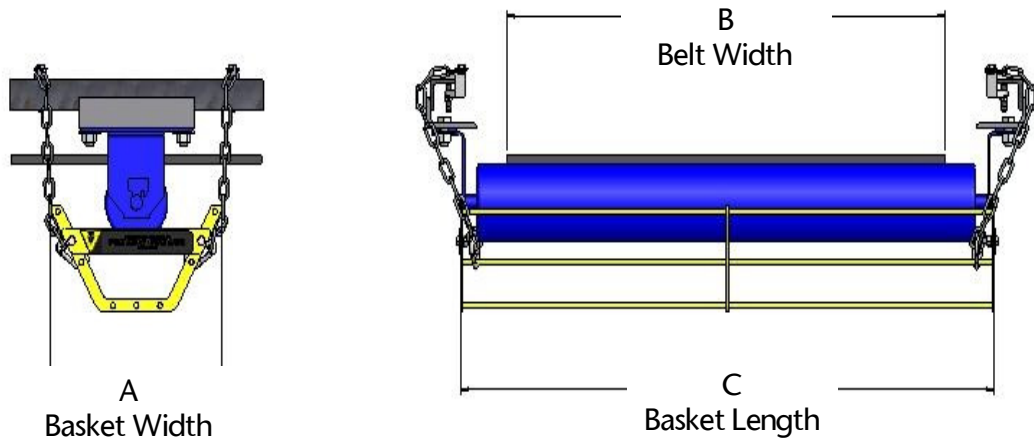
Built to Last

- Heavy duty steel construct eliminates warping and bending
- Powder coated for increased durability



Return Idler Basket

Technical Specifications



12" Return Roller Baskets			
A (in)	B (Belt Width)	C (in)	Part Number
12	24	30.875	BRRB-70154
12	30	36.875	BRRB-70152
12	36	42.875	BRRB-70155
12	42	48.875	BRRB-70156
12	48	54.875	BRRB-70157
12	54	60.875	BRRB-70158
12	60	66.875	BRRB-70159
12	66	72.875	BRRB-71077
12	72	78.875	BRRB-71078
12	78	84.875	BRRB-71079
12	84	90.875	BRRB-71080
12	90	96.875	BRRB-71081
12	96	102.875	BRRB-71082

24" Return Roller Baskets			
A (in)	B (Belt Width)	C (in)	Part Number
24	24	30.875	BRRG-70160
24	30	36.875	BRRG-70161
24	36	42.875	BRRG-70162
24	42	48.875	BRRG-70163
24	48	54.875	BRRG-70164
24	54	60.875	BRRG-70165
24	60	66.875	BRRG-70166
24	66	72.875	BRRG-71092
24	72	78.875	BRRG-71093
24	78	84.875	BRRG-71094
24	84	90.875	BRRG-71095
24	90	96.875	BRRG-71096
24	96	102.875	BRRG-71097

BENETECH®

Please consult your Benetech Representative for additional information.

Benetech, Inc. | p: 630-844-1300
 2245 Sequoia Drive, Suite 300, | f: 630-844-8690
 Aurora, Illinois 60506 | www.benetechglobal.com