



## Drop & Slide Return Roller

Superior product. Simple installation.

Benetech's Drop & Slide Return Rollers allow for safe installation and removal of rollers from one side of the belt, when access is restricted. The design of the frame assembly allows for placement even in confined spaces, allowing one person to change out the return roller easily and safely.



### Key Features & Benefits

#### One-Sided Serviceability

Service can be done by one person from one side of the belt

#### Confined Spaces

Drop & Slide Out frame design allows quick and easy roller removal or maintenance

#### Belt Support

Rollers support the belt to prevent stretching, sagging, and failure

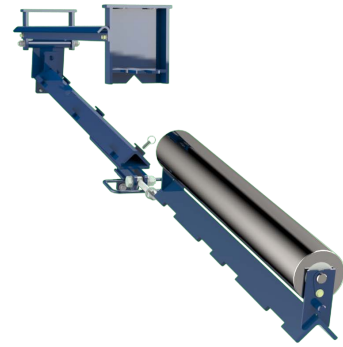
#### Easy Installation and Service

Faster installing and changing of return rollers

- Available with standard or wide base frames
- Comes in any belt width
- Available to purchase frame alone or with rollers
- Can be customized to fit any idler manufacturers' rollers



# Drop & Slide Questionnaire



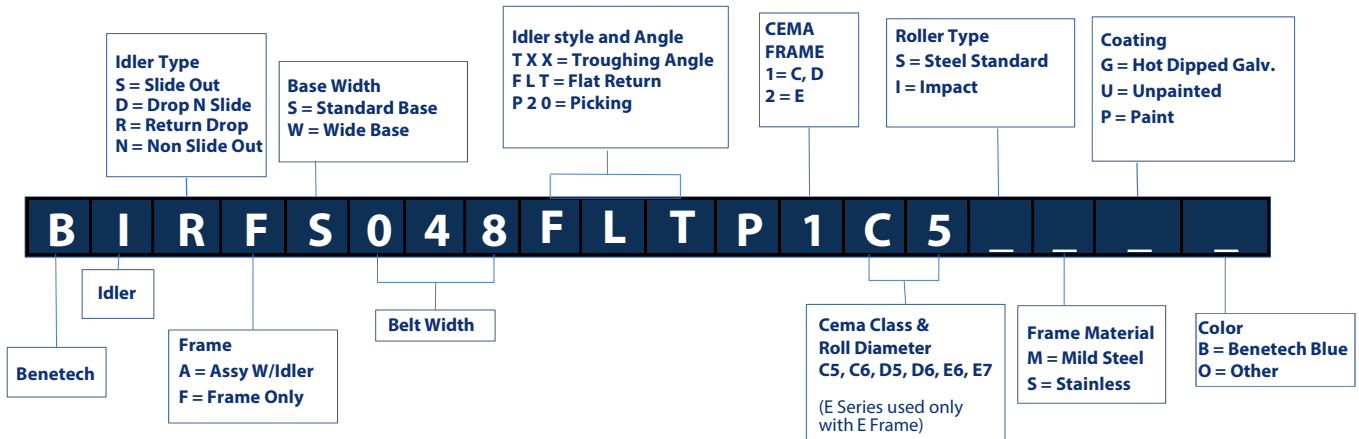
## Rolls

CEMA Class: \_\_\_\_\_

Roll Diameter: \_\_\_\_\_

Belt Width: \_\_\_\_\_

## Ordering Information



Belt Width in (mm)	Part Number	
	Full Assembly (CEMA C5)	Frame Only (CEMA C5)
24 (600)	BIRAS024FLTP1C5SMPB	BIRFS024FLTP1C5SMPB
30 (750)	BIRAS030FLTP1C5SMPB	BIRFS030FLTP1C5SMPB
36 (900)	BIRAS036FLTP1C5SMPB	BIRFS036FLTP1C5SMPB
42 (1050)	BIRAS042FLTP1C5SMPB	BIRFS042FLTP1C5SMPB
48 (1200)	BIRAS048FLTP1C5SMPB	BIRFS048FLTP1C5SMPB
54 (1350)	BIRAS054FLTP1C5SMPB	BIRFS054FLTP1C5SMPB
60 (1500)	BIRAS060FLTP1C5SMPB	BIRFS060FLTP1C5SMPB
72 (1800)	BIRAS072FLTP1C5SMPB	BIRFS072FLTP1C5SMPB

### BENETECH

2245 Sequoia Dr. #300  
Aurora, IL 60506

+1 (630) 844 -1300  
info@benetechusa.com  
www.benetechglobal.com

