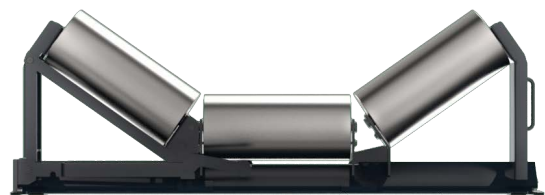




Drop & Slide Idler

Superior Product. Simple Installation.

The unique design of this idler allows it to be installed where one side of the conveyor system may have very limited or no access thus preventing normal idler maintenance. The Benetech Drop and Slide Idler incorporates a retractable, side support roller unit which is accessed from the serviceable side of the conveyor. When in the retracted position, the roller unit simply slides out from underneath the existing conveyor belt allowing for easy roller inspection or replacement.



Great in Confined Spaces

Roller Frames only need 8" (200mm) of width when using 6" (150mm) rollers

Easy Installation and Service

No need to raise the belt or remove adjacent idlers

One-Sided Serviceability

Service can be done from one side of the belt

Compatibility

The side support roller unit can be installed on any matching Benetech Simple Slide Idler frame

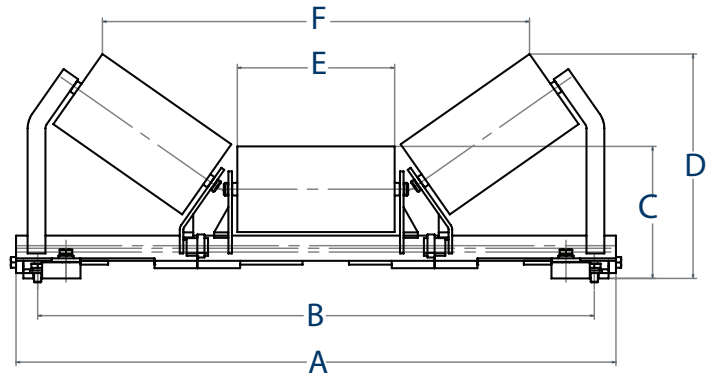
- Available with standard or wide base frames
- Comes in any belt width and troughing angle
- Utilize impact or steel rolls
- CEMA class C, D, or E



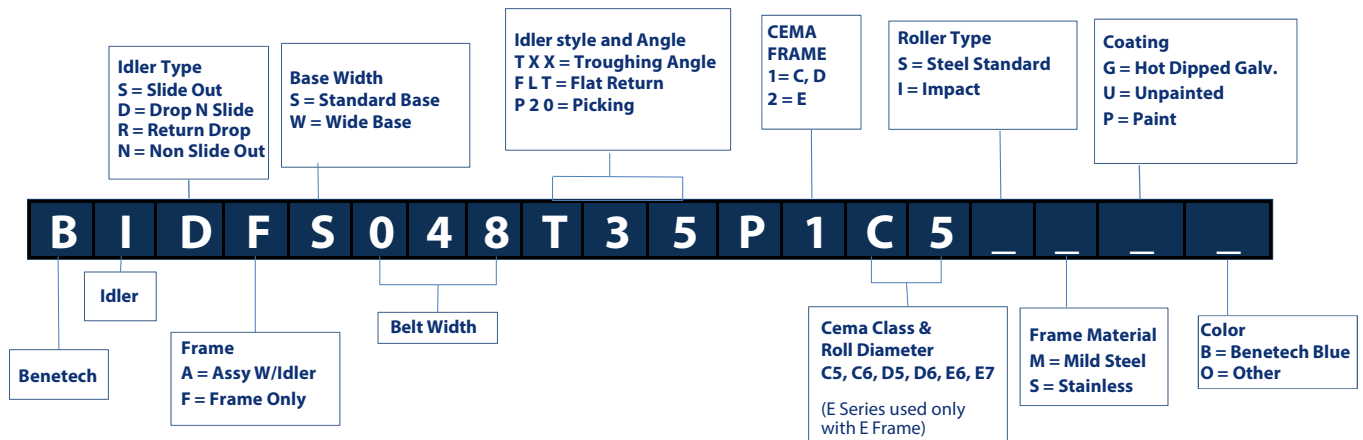
Drop & Slide Questionnaire

Rolls

Steel or impact rollers: _____
 CEMA Class: _____
 Roll Diameter: _____
 Belt Width: _____
 Troughing Angle: _____



Ordering Information



Standard or Impact Rolls

Belt Width	A	B	C	D	E	F	Part Number	Frame Only
in (mm)	in (mm)	in (mm)	in (mm)	in (mm)	in (mm)	in (mm)	Full Assembly (CEMA C5)	(CEMA C5)
24 (600)	35 (889)	33 (838)	9 (229)	14.25 (362)	9 (229)	25 (635)	BIDAS024T35P1C5SMPB	BIDFS024T35P1C5SMPB
30 (750)	41.5 (1054)	39 (991)	9.125 (232)	15.75 (400)	11 (279)	31 (787)	BIDAS030T35P1C5SMPB	BIDFS030T35P1C5SMPB
36 (900)	48 (1219)	45 (1143)	9.125 (232)	17.125 (435)	13.25 (337)	37 (940)	BIDAS036T35P1C5SMPB	BIDFS036T35P1C5SMPB
42 (1050)	53.5 (1219)	51 (1295)	9.5 (241)	18.5 (470)	15.5 (394)	42 (1067)	BIDAS042T35P1C5SMPB	BIDFS042T35P1C5SMPB
48 (1200)	59.5 (1511)	57 (1448)	9.5 (241)	19.625 (498)	17.5 (445)	47.5 (1207)	BIDAS048T35P1C5SMPB	BIDFS048T35P1C5SMPB
54 (1350)	65.5 (1664)	63 (1600)	9.5 (241)	20.5 (521)	19.75 (501.65)	53 (1346)	BIDAS054T35P1C5SMPB	BIDFS054T35P1C5SMPB
60 (1500)	71.5 (1816)	69 (1752)	9.5 (241)	22.25 (565)	21.75 (552)	59.5 (1511)	BIDAS060T35P1C5SMPB	BIDFS060T35P1C5SMPB

BENETECH
 2245 Sequoia Dr. #300
 Aurora, IL 60506

+1 (630) 844 -1300
 info@benetechusa.com
 www.benetechglobal.com

