

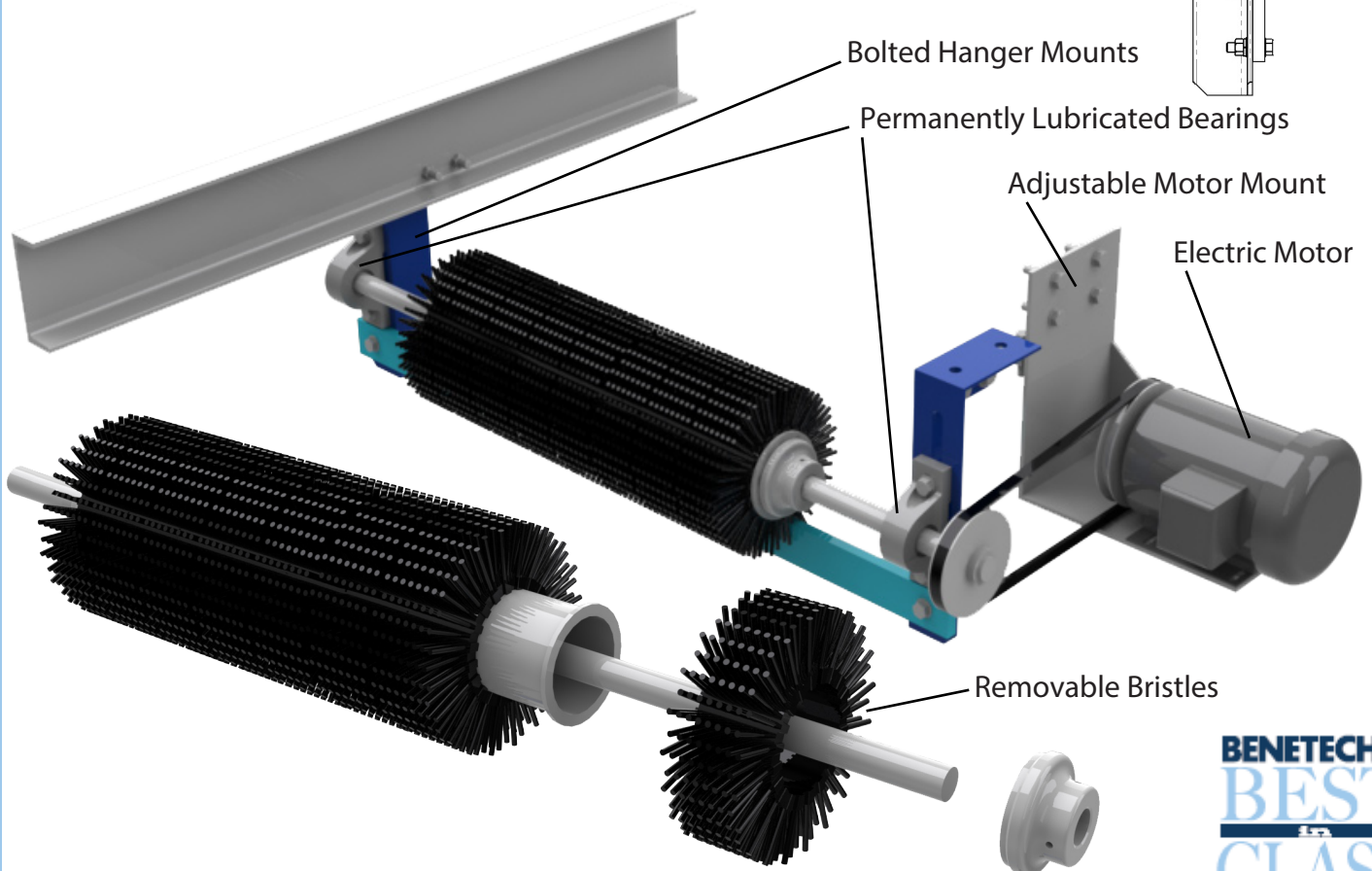
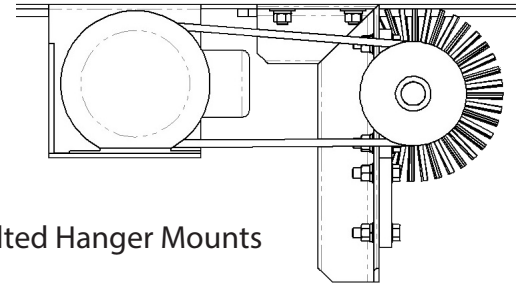
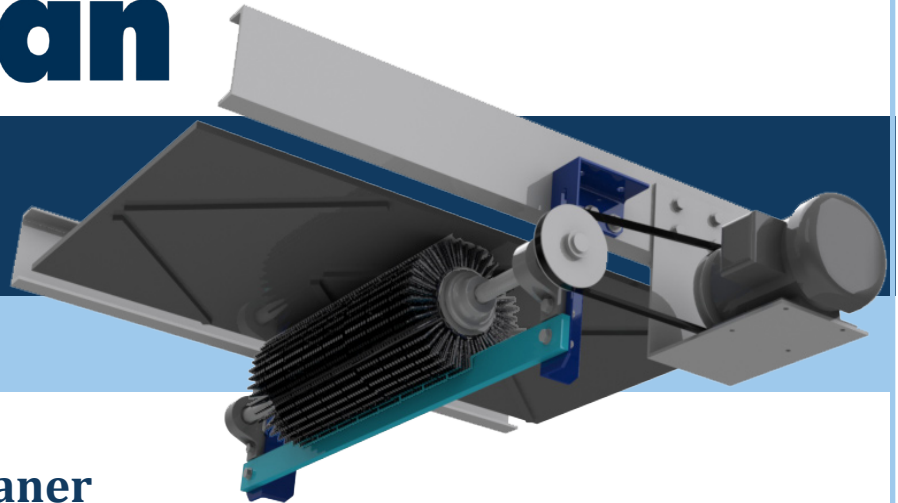
# BBC1

## Brush Cleaner

### Overview

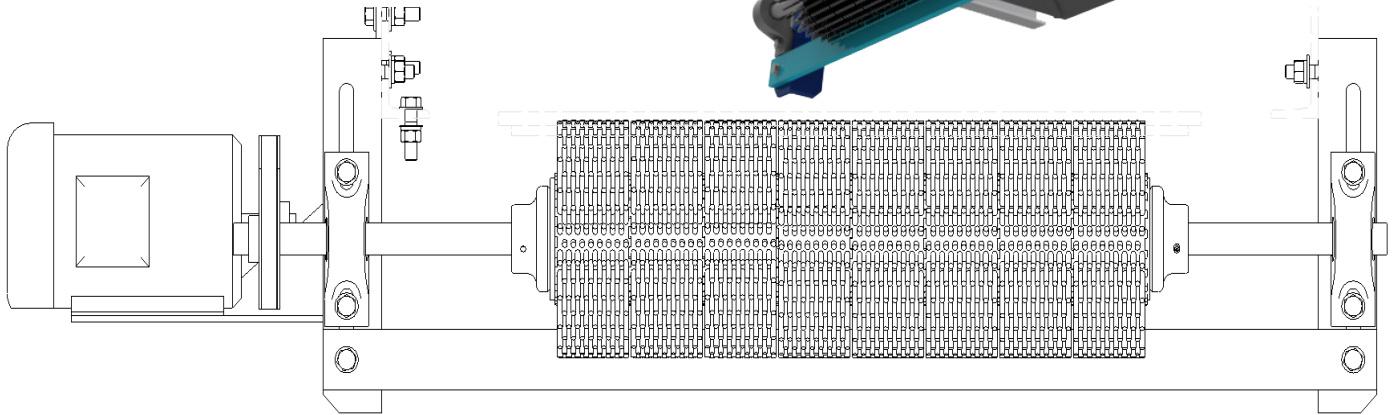
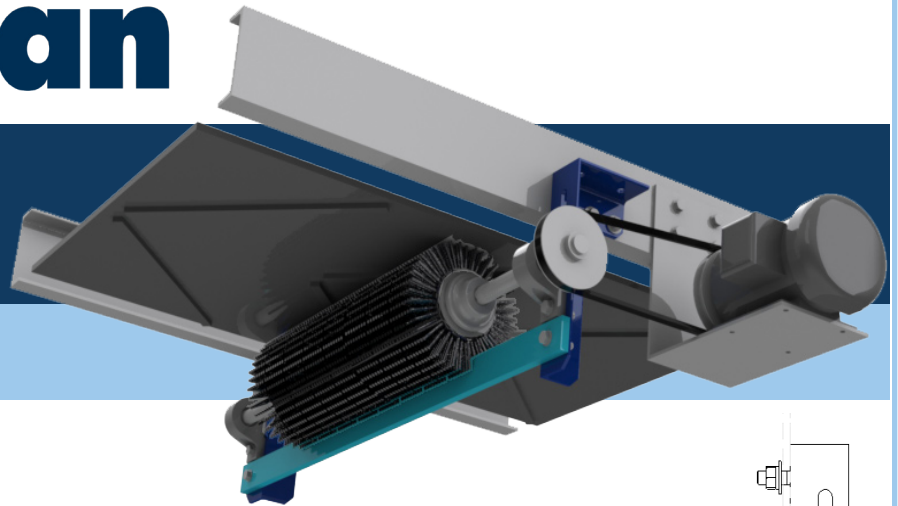
#### Motor Driven Brush Cleaner

- Durable rubber bristles deflect material and outperform nylon competitors.
- Bristles spin against our 5/8" thick slab urethane to separate clinging material.
- Powered by: 3 Phase, 1hp, Totally Enclosed Fan Cooled, Electric Motor.
- Motor RPM is enhanced to keep the brush cleaning 1.5x faster than the belt speed.
- Worn bristles are easily separated from the pole for replacement.
- Benetech Mount B rackets easily attach to belt stringers.
- Adjustable motor mount can be welded if necessary.
- Reversible drive shaft.



# BBC1

## Brush Cleaner



### Rubber Brush Cleaner Ordering Information

Belt Width in.	Belt Width mm.	Rubber Cleaner Ordering Number
18	450	BBC1-018-1R11N
24	600	BBC1-024-1R11N
30	750	BBC1-030-1R11N
36	900	BBC1-036-1R11N
42	1050	BBC1-042-1R11N
48	1200	BBC1-048-1R11N
54	1350	BBC1-054-1R11N
60	1500	BBC1-060-1R11N
72	1800	BBC1-072-1R11N
84	2130	BBC1-084-1R11N

### Nylon Brush Cleaner Ordering Information

Belt Width in.	Belt Width mm.	Nylon Cleaner Ordering Number
18	450	BBC1-018-1N11N
24	600	BBC1-024-1N11N
30	750	BBC1-030-1N11N
36	900	BBC1-036-1N11N
42	1050	BBC1-042-1N11N
48	1200	BBC1-048-1N11N
54	1350	BBC1-054-1N11N
60	1500	BBC1-060-1N11N
72	1800	BBC1-072-1N11N
84	2130	BBC1-084-1N11N

Benetech, Inc.  
 2245 Sequoia Drive, Suite  
 300 Aurora Illinois 60506  
 p: 630-844-1300  
 f: 630-844-8690  
[www.benetechglobal.com](http://www.benetechglobal.com)

