

# BENETECH MaxClean™

## BXS1 Secondary Belt Cleaner

The Benetech MaxClean product line is designed to maximize user benefits and extend the life of your belt conveyors.

### Key Features & Benefits:

#### 1. Patented floating cushions on a fluid-filled tube

##### Benefits:

- Segmented cushions/blades automatically adjust to the contour of the belt for uniform cleaning
- Center cushions/blades rise to easily clean worn belts
- Best belt cleaning efficiency of any secondary cleaner

#### 2. Can be mounted directly under the head pulley

##### Benefits:

- Fits in confined spaces
- Drops carryback directly into the chute

#### 3. Engineered for minimal maintenance

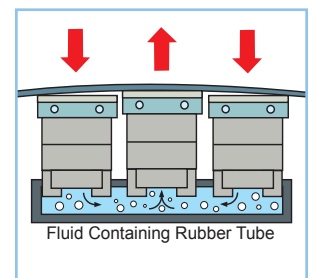
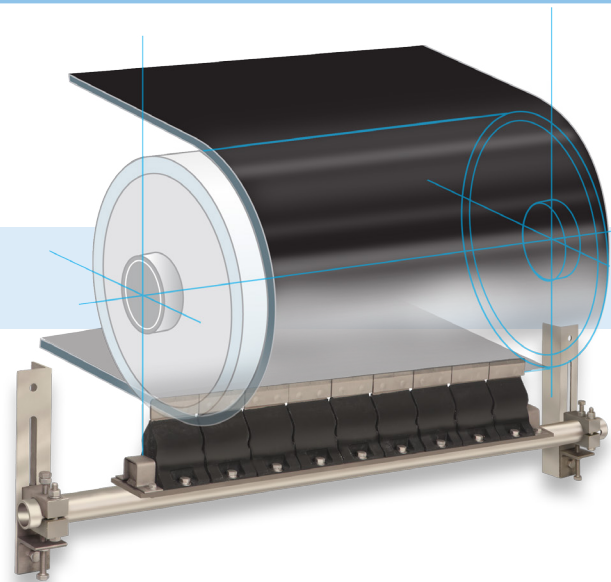
##### Benefits:

- Specially-formulated tungsten carbide tips provide extra long wear life
- Bolt tensioners are easily adjusted
- Requires minimal blade retensioning throughout the life of the blades
- Modular designed parts are easy to replace if necessary

#### 4. Stainless steel construction

##### Benefits:

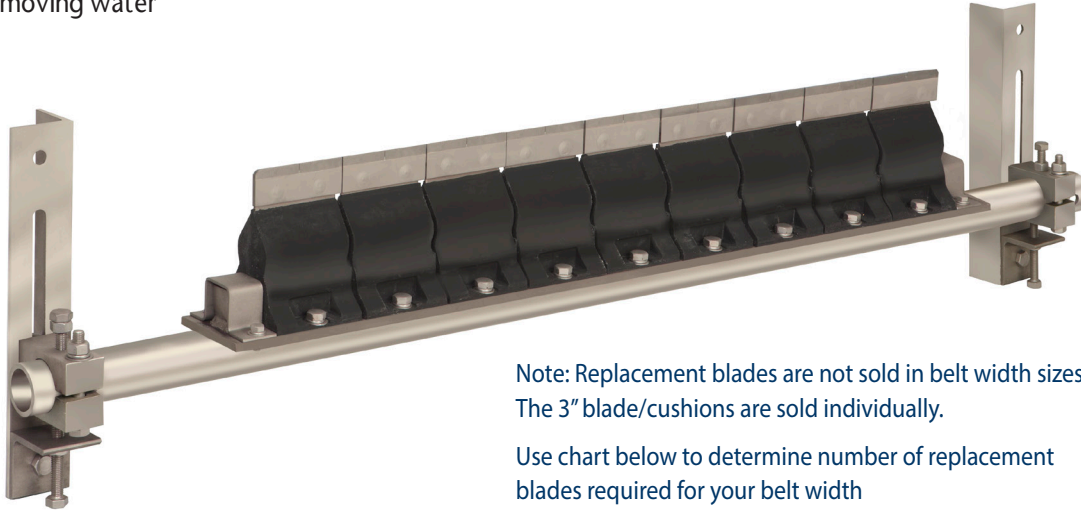
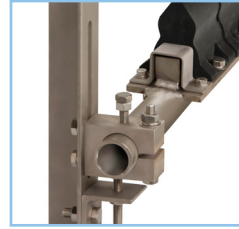
- Will not rust
- Holds up to high acidity applications
- Long service life



# BXS1 Secondary Belt Cleaner

## Blades Rise Up to Stay in Contact with the Belt

- Unmatched cleaning efficiency
- Continuous contact with the material-carrying center of the belt
- Excellent for worn, top-cover belts
- Great for removing water



Note: Replacement blades are not sold in belt width sizes. The 3" blade/cushions are sold individually.

Use chart below to determine number of replacement blades required for your belt width

## BXS1 Ordering Information

Belt Width		Cleaner Ordering Number	No. of Blades Req.	Blade Ordering Number
in.	mm.			
18	457	BXS1-018-1T11X	3	BXS1T
24	610	BXS1-024-1T11X	6	BXS1T
30	762	BXS1-030-1T11X	7	BXS1T
36	914	BXS1-036-1T11X	9	BXS1T
42	1067	BXS1-042-1T11X	10	BXS1T
48	1219	BXS1-048-1T12X	12	BXS1T
54	1372	BXS1-054-1T12X	13	BXS1T
60	1524	BXS1-016-1T12X	15	BXS1T
72	1829	BXS1-072-1T13X	17	BXS1T
84	2134	BXS1-084-1T13X	19	BXS1T

**BENETECH**<sup>®</sup>

Global Headquarters Benetech, Inc.  
2245 Sequoia Drive, Suite 300,  
Aurora, Illinois 60506  
USA

p: +1-630-844-1300  
f: +1-630-844-8690  
[www.benetechglobal.com](http://www.benetechglobal.com)