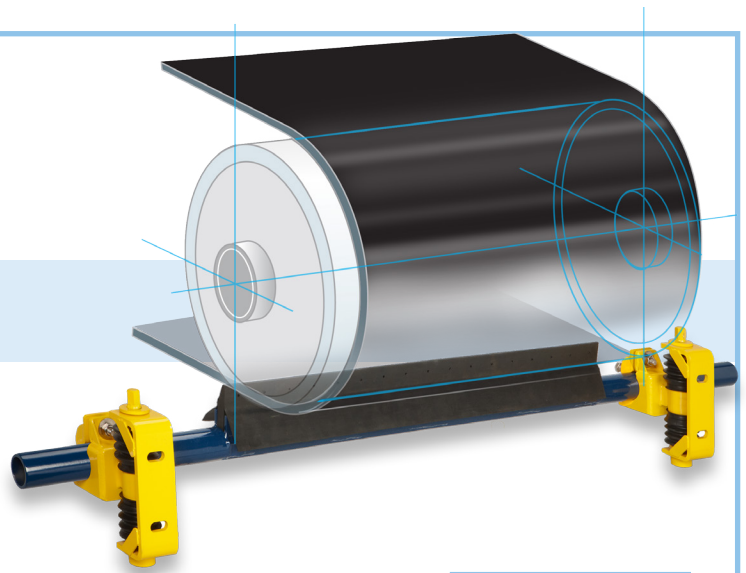


# BENETECH MaxClean™

## BES1 Secondary Belt Cleaner



### Key Features & Benefits:

#### 1. Unparalleled blade holder keeps the center of the blade on the belt

##### Benefits:

- Excellent for cupped or worn belts
- Blade ends push down to equalize pressure across the blade
- Blade arcs into the center as it wears to maintain continuous blade-to-belt contact

#### 2. One piece rubber blade with tungsten carbide tips

##### Benefits:

- Superior cleaning efficiency
- Excellent to squeegee water off of belt
- Blade flaps prevent carryback build up on blade or frame

#### 3. Low profile cleaner design

##### Benefits:

- Works great in confined-space chutes, overall height is just 5"
- Easy to install

#### 4. Torsion arm tensioning

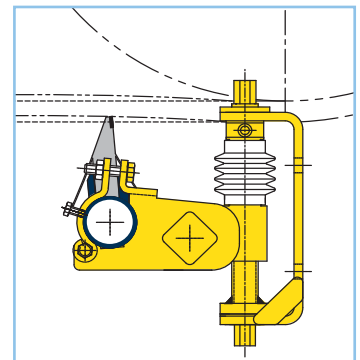
##### Benefits:

- Torsion Arm Segments™ allow the blade to conform to the belt and move away for obstructions
- Threaded rods easily move the cleaner up to the belt or down for maintenance

#### 5. Modular design

##### Benefits:

- Few parts
- Blade replacement is quick and easy
- Economical



### Solid Blade Options

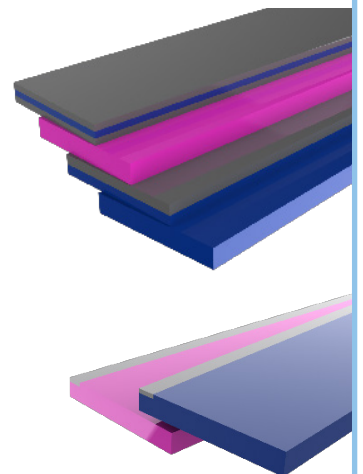
**Tri-Layer:** Soft durometer center cleans moist material from belt surfaces while harder outside keeps the blade rigid and cleans hard material. For conveyors moving 450 to 800 feet per minute.

**High Temp:** Suitable for high temperature applications up to 375/450 °F.

**Dual Layer:** Harder layer paired with a softer layer of rubber. The harder side cleans tough debris and the softer side removes moist material. For conveyors moving 450 feet per minute.

**Ceramic Bead:** For heavy duty applications, the urethane is packed with ceramic beads making for a super tough blade style.

**Chemical Resistant:** Acidic or hydrolytic applications with a tungsten carbide tip for superior wear life.



# BES1

## Full Assembly Ordering Information

Belt Width		Rubber/ Tungsten	Rubber	Hi Temp	Ceramic Bead	Tri-Layer	Dual Layer
in	mm						
18	457	BES1-018-1T11Z	BES1-018-1R11Z	BES1-018-1HT1Z	BES1-018-1CB1Z	BES1-018-13L1Z	BES1-018-12L1Z
24	610	BES1-024-1T11Z	BES1-024-1R11Z	BES1-024-1HT1Z	BES1-024-1CB1Z	BES1-024-13L1Z	BES1-024-12L1Z
30	762	BES1-030-1T11Z	BES1-030-1R11Z	BES1-030-1HT1Z	BES1-036-1CB1Z	BES1-030-13L1Z	BES1-030-12L1Z
36	914	BES1-036-1T11Z	BES1-036-1R11Z	BES1-036-1HT1Z	BES1-042-1CB1Z	BES1-036-13L1Z	BES1-036-12L1Z
42	1067	BES1-042-1T12Z	BES1-042-1R12Z	BES1-042-1HT2Z	BES1-048-1CB2Z	BES1-042-13L2Z	BES1-042-12L2Z
48	1219	BES1-048-1T12Z	BES1-048-1R12Z	BES1-048-1HT2Z	BES1-048-1CB2Z	BES1-048-13L2Z	BES1-048-12L2Z
54	1372	BES1-054-1T13Z	BES1-054-1R13Z	BES1-054-1HT3Z	BES1-054-1CB3Z	BES1-054-13L3Z	BES1-054-12L3Z
60	1524	BES1-060-1T13Z	BES1-060-1R13Z	BES1-060-1HT3Z	BES1-060-1CB3Z	BES1-060-13L3Z	BES1-060-12L3Z
72	1829	BES1-072-1T13Z	BES1-072-1R13Z	BES1-072-1HT3Z	BES1-072-1CB3Z	BES1-072-13L3Z	BES1-072-12L3Z
84	2134	BES1-084-1T13Z	BES1-084-1R13Z	BES1-084-1HT3Z	BES1-084-1CB3Z	BES1-084-13L3Z	BES1-084-12L3Z

**\*Stainless steel option available for both poles and tensioner**

# BES1

## Blade Ordering Information

Belt Width		Rubber/ Tungsten	Rubber	Hi Temp	Ceramic Bead	Tri-Layer	Dual Layer
in	mm						
18	457	BES1T-018-1T1	BES1R-018-1R1	BES1U-018-1HT	BES1C-018-1CB	BES1U-018-13L	BES1U-018-12L
24	610	BES1T-024-1T1	BES1R-024-1R1	BES1U-024-1HT	BES1C-024-1CB	BES1U-024-13L	BES1U-024-12L
30	762	BES1T-030-1T1	BES1R-030-1R1	BES1U-030-1HT	BES1C-036-1CB	BES1U-030-13L	BES1U-030-12L
36	914	BES1T-036-1T1	BES1R-036-1R1	BES1U-036-1HT	BES1C-042-1CB	BES1U-036-13L	BES1U-036-12L
42	1067	BES1T-042-1T1	BES1R-042-1R1	BES1U-042-1HT	BES1C-048-1CB	BES1U-042-13L	BES1U-042-12L
48	1219	BES1T-048-1T1	BES1R-048-1R1	BES1U-048-1HT	BES1C-048-1CB	BES1U-048-13L	BES1U-048-12L
54	1372	BES1T-054-1T1	BES1R-054-1R1	BES1U-054-1HT	BES1C-054-1CB	BES1U-054-13L	BES1U-054-12L
60	1524	BES1T-060-1T1	BES1R-060-1R1	BES1U-060-1HT	BES1C-060-1CB	BES1U-060-13L	BES1U-060-12L
72	1829	BES1T-072-1T1	BES1R-072-1R1	BES1U-072-1HT	BES1C-072-1CB	BES1U-072-13L	BES1U-072-12L
84	2134	BES1T-084-1T1	BES1R-084-1R1	BES1U-084-1HT	BES1C-084-1CB	BES1U-084-13L	BES1U-084-12L

**\*Stainless steel option available for both poles and tensioner**

# BES1

## Tensioner Ordering Information

Tensioner Type	Ordering Number
DualRostaLevel1	BSTZ100
DualRostaLevel2	BSTZ200
DualRostaLevel3	BSTZ300



Global Headquarters Benetech, Inc.  
2245 Sequoia Drive, Suite 300,  
Aurora, Illinois 60506  
USA

p: +1-630-844-1300  
f: +1-630-844-8690  
www.benetechglobal.com