

BENETECH MaxClean™

BEP2 Primary Belt Cleaner



The Benetech MaxClean product line is designed to maximize user benefits and extend the life of your belt conveyors.

Key Features & Benefits:

1. Heavy-duty, urethane blades in 13" heights

Benefits:

- Heavy duty abrasion resistant polyurethane blades incorporating Benetech wave profile design provides best in class performance and wear in a cartridge/segmented blade design
- Blades are in 6" widths to work with the contours of the belt for better cleaning performance
- Large blades provide longer wear life reducing replacement costs and extending time between blade change-outs

2. Two-piece blade cartridge

Benefits:

- Blades can be pre-installed in the cartridge for easy installation on the cleaner
- Cartridge can be quickly and safely removed for blade replacement from either side of cleaner
- Replacement cartridge with new blades can be quickly installed, minimizing maintenance time
- Pull the removable pin and the cartridge can easily be removed for service
- Split track cartridge makes replacing old blades with new blades quick and easy, separate the track and remove the old blades to either put the cartridge back in service or back on the shelf for the next blade changeout

3. Simple dual spring tensioner

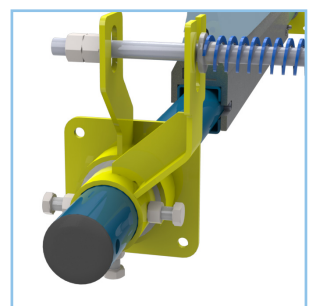
Benefits:

- Provides consistent force across the width of blades
- A simple adjustment of the tensioners brings the blade tension back to optimum pressure for superior cleaning

4. Optimized for vulcanized belts in material handling applications

Benefits:

- Focused on high performance in coal fired power plants, steel mills, ports, cement plants, saw mills, pulp mills and mining
- Years of application knowledge and experience from the Benetech team
- Best in Class design and technology

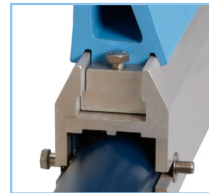
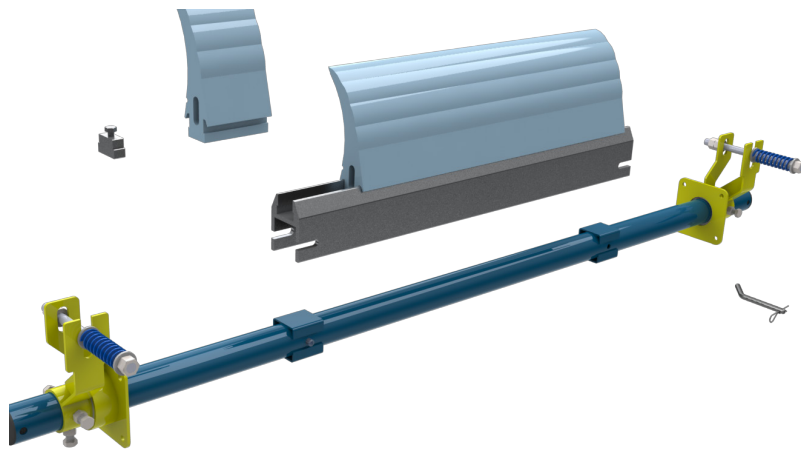


Spring Tensioner

BEP2 Primary Belt Cleaner

Blade Design Features

- Wave profile minimizes over-under spikes in cleaning pressure as the blade wears out and is serviced
- Wave technology provides a variable attack angle to clean even the most stubborn material sticking to your conveyor belt
- Profile gives a clear indication how blades are wearing and when new ones should be ordered
- Symmetric blade cavities in the base allow the blade to twist and rotate, giving dynamic multi-axis response and allowing the BEP2 blade to conform to even the most irregular belts
- Abrasion resistant polyurethane and blade profile design give optimum performance and extended wear life



Ordering Information

Belt Width in.	mm.	Cleaner Ordering Number	No. of Blades Req.	Blade Ordering Number
24	610	BEP2-024-2U1B2	3	BEP22
30	762	BEP2-030-2U1B2	4	BEP22
36	914	BEP2-036-2U1B2	5	BEP22
42	1067	BEP2-042-2U1B2	6	BEP22
48	1219	BEP2-048-2U1B2	7	BEP22
54	1372	BEP2-054-2U1B2	8	BEP22
60	1524	BEP2-060-2U1B2	9	BEP22
72	1829	BEP2-072-2U1B2	10	BEP22
84	2134	BEP2-084-2U1B2	12	BEP22

Quick, Safe Blade Changes

- 1.) Remove one pin and safely remove the cartridge from the pole
- 2.) Insert an auxiliary cartridge with new blades and the job is done in minutes
- 3.) Loosen the bolts on the cartridge and slide out the worn blades
- 4.) Slide in new blades and put the cartridge on the shelf for the next change-out



Global Headquarters Benetech, Inc.
2245 Sequoia Drive, Suite 300,
Aurora, Illinois 60506
USA

p: +1-630-844-1300
f: +1-630-844-8690
www.benetechglobal.com