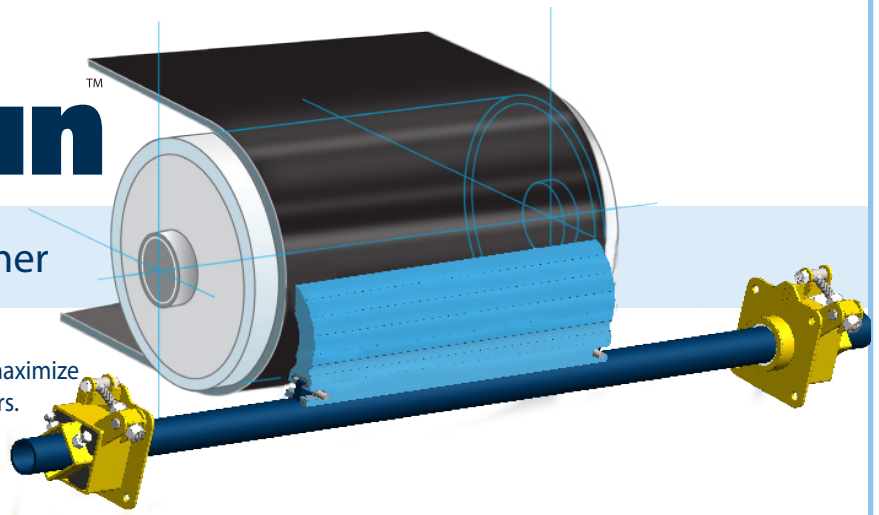


BENETECH MaxClean™

BEP1 Primary Belt Cleaner



The Benetech MaxClean product line is designed to maximize user benefits and extend the life of your belt conveyors.

Key Features & Benefits:

1. Compact design

Benefits:

- Mounts easily in tight chute applications
- Blade can be positioned on the head pulley in a range of locations

2. Advanced blade technology – The AdvantEdge™ Blade

Benefits:

- Unique “Wave” profile creates a varying attack angle reducing blade edge bull-nosing
- Our proprietary urethane formulation and hardness provides the cleaning power of a metal blade
- Uses more of the blade’s urethane for longer wear from each blade
- Blade width is belt width minus 2” for full belt coverage. (minus 4” and 6” available)
- Blades easily retro-fit to other cleaner brands

3. Fewer parts

Benefits:

- Quick and easy to install
- Modular design for simplicity

4. Self-contained torsion tensioner

Benefits:

- Easy to set up at installation
- Simple to retension
- Self-adjusting to maintain consistent cleaning as the blade wears

5. Minimal maintenance

Benefits:

- One-pin blade change-out
- Quick ratchet blade tension adjustment

6. Optimized for vulcanized belts in material handling applications

Benefits:

- Focused on high performance in coal-fired power plants, steel mills, aggregate, ports, cement plants, saw mills, pulp mills and mining
- Years of application knowledge and experience from the Benetech team

Quick, Safe Blade Changes

1. Remove one blade pin
2. Pull out the worn blade
3. Slide in the new blade
4. Replace the blade pin



Belt Width		Blade Ordering Numbers		
in.	mm.	minus 2 belt width	minus 4 belt width	minus 6 belt width
12	304	BAPR1-012-010UX	BAPR1-012-008UX	BAPR1-012-006UX
18	450	BAPR1-018-016UX	BAPR1-018-014UX	BAPR1-018-012UX
24	600	BAPR1-024-022UX	BAPR1-024-020UX	BAPR1-024-018UX
30	750	BAPR1-030-028UX	BAPR1-030-026UX	BAPR1-030-024UX
36	900	BAPR1-036-034UX	BAPR1-036-032UX	BAPR1-036-030UX
42	1050	BAPR1-042-040UX	BAPR1-042-038UX	BAPR1-042-036UX
48	1200	BAPR1-048-046UX	BAPR1-048-044UX	BAPR1-048-042UX
54	1350	BAPR1-054-052UX	BAPR1-054-050UX	BAPR1-054-048UX
60	1500	BAPR1-060-058UX	BAPR1-060-056UX	BAPR1-060-056UX
66	1676	BAPR1-066-064UX	BAPR1-066-062UX	BAPR1-066-060UX
72	1800	BAPR1-072-070UX	BAPR1-072-068UX	BAPR1-072-066UX
84	2133	BAPR1-084-082UX	BAPR1-084-080UX	BAPR1-084-078UX
96	2438	BAPR1-096-094UX	BAPR1-096-092UX	BAPR1-096-090UX
120	3048	BAPR1-120-118UX	BAPR1-120-116UX	BAPR1-120-114UX

X=1- Baby Blue Standard
 H- Hot Pink High Temp
 3 - Navy Blue Chemical Resistant
 5 - Yellow Abrasion Resistant Blade

***Stainless steel option available for both poles and tensioner**

BEP1 Primary Belt Cleaner Blade Options

Hot Pink High Temperature Navy Blue Chemical Resistant Baby Blue Standard Yellow Abrasion Resistant



Tensioner Options

Tensioner Type	Ordering Number
Dual Rosta	BPTA100
Spring	BPTE100

BEP1

Ordering Information w/ rosta tensioners

Belt Width		Cleaner Ordering Number		
in.	mm.	minus 2 belt width	minus 4 belt width	minus 6 belt width
12	304	BEP1-012-010UXA2	BEP1-012-008UXA2	BEP1-012-006UXA2
18	450	BEP1-018-016UXA2	BEP1-018-014UXA2	BEP1-018-012UXA2
24	600	BEP1-024-022UXA2	BEP1-024-020UXA2	BEP1-024-018UXA2
30	750	BEP1-030-028UXA2	BEP1-030-026UXA2	BEP1-030-024UXA2
36	900	BEP1-036-034UXA2	BEP1-036-032UXA2	BEP1-036-030UXA2
42	1050	BEP1-042-040UXA2	BEP1-042-038UXA2	BEP1-042-036UXA2
48	1200	BEP1-048-046UXA2	BEP1-048-044UXA2	BEP1-048-042UXA2
54	1350	BEP1-054-052UXA2	BEP1-054-050UXA2	BEP1-054-048UXA2
60	1500	BEP1-060-058UXA2	BEP1-060-056UXA2	BEP1-060-054UXA2
66	1676	BEP1-066-064UXA2	BEP1-066-062UXA2	BEP1-066-060UXA2
72	1800	BEP1-072-070UXA2	BEP1-072-068UXA2	BEP1-072-066UXA2
84	2133	BEP1-084-082UXA2	BEP1-084-080UXA2	BEP1-084-078UXA2
96	2438	BEP1-096-094UXA2	BEP1-096-092UXA2	BEP1-096-090UXA2
120	3048	BEP1-120-118UXA2	BEP1-120-116UXA2	BEP1-120-114UXA2

X=1- Baby Blue Standard
 H- Hot Pink High Temp
 3 - Navy Blue Chemical Resistant
 5 - Yellow Abrasion Resistant Blade

***Stainless steel option available for both poles and tensioner**

BEP1

Ordering Information w/ spring tensioners

Belt Width		Cleaner Ordering Number		
in.	mm.	minus 2 belt width	minus 4 belt width	minus 6 belt width
12	304	BEP1-012-010UXE2	BEP1-012-008UXE2	BEP1-012-006UXE2
18	450	BEP1-018-016UXE2	BEP1-018-014UXE2	BEP1-018-012UXE2
24	600	BEP1-024-022UXE2	BEP1-024-020UXE2	BEP1-024-018UXE2
30	750	BEP1-030-028UXE2	BEP1-030-026UXE2	BEP1-030-024UXE2
36	900	BEP1-036-034UXE2	BEP1-036-032UXE2	BEP1-036-030UXE2
42	1050	BEP1-042-040UXE2	BEP1-042-038UXE2	BEP1-042-036UXE2
48	1200	BEP1-048-046UXE2	BEP1-048-044UXE2	BEP1-048-042UXE2
54	1350	BEP1-054-052UXE2	BEP1-054-050UXE2	BEP1-054-048UXE2
60	1500	BEP1-060-058UXE2	BEP1-060-056UXE2	BEP1-060-054UXE2
66	1676	BEP1-066-064UXE2	BEP1-066-062UXE2	BEP1-066-060UXE2
72	1800	BEP1-072-070UXE2	BEP1-072-068UXE2	BEP1-072-066UXE2
84	2133	BEP1-084-082UXE2	BEP1-084-080UXE2	BEP1-084-078UXE2
96	2438	BEP1-096-094UXE2	BEP1-096-092UXE2	BEP1-096-090UXE2
120	3048	BEP1-120-118UXE2	BEP1-120-116UXE2	BEP1-120-114UXE2

X=1- Baby Blue Standard
 H- Hot Pink High Temp
 3 - Navy Blue Chemical Resistant
 5 - Yellow Abrasion Resistant Blade

***Stainless steel option available for both poles and tensioner. Belt widths up to 48" available with single spring tensioner option.**