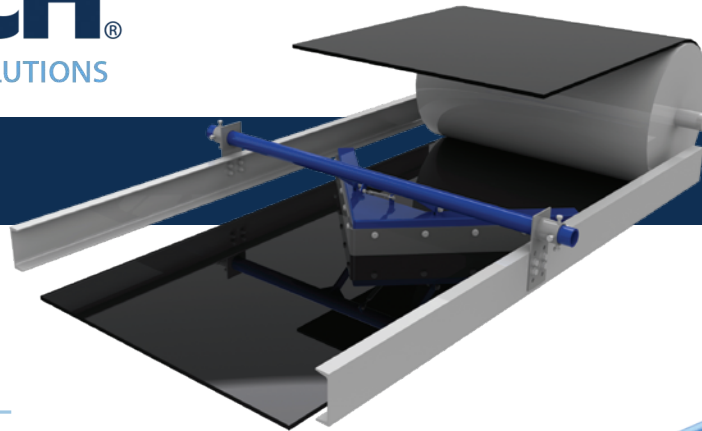




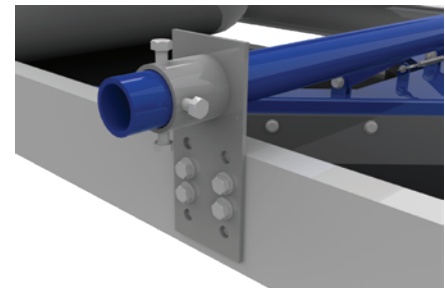
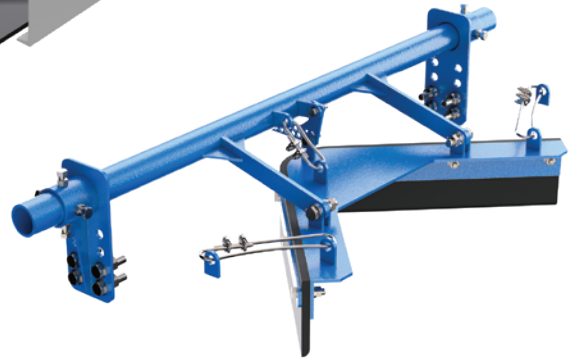
V-Plow



Effective design.
Simple installation.

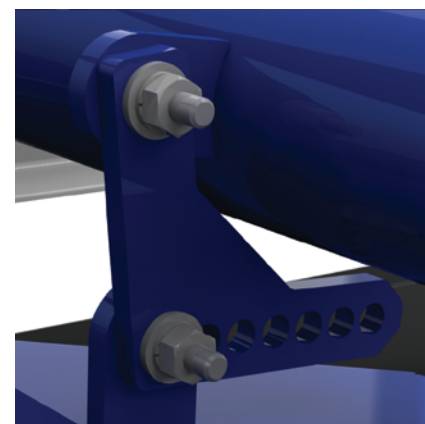
The Benetech V-Plow is a simple and reliable design. Its sturdy "V" frame attaches to the mounting pole at two points, with a third point attached to an adjustment arm. This arm allows the Plow to be height adjusted in small increments to fine tune the installation.

- **Simple, reliable, single blade design**
- **4" tall rubber blade**
- **Easy bolt in blade replacement**
- **Adjustment arm at nose for fine tuning height**
- **Versatile Mounting Bracket system**
- **Wire Safety Cable for added protection**
- **Floating blade design ensures blade is riding on conveyor belt**



Full Assembly with Rubber Blades
Ordering Information

Belt Width		4" Product Ordering Number
in	mm	
18	450	BVP2-018-0R1C2
24	600	BVP2-024-0R1C2
30	750	BVP2-030-0R1C2
36	900	BVP2-036-0R1C2
42	1050	BVP2-042-0R1C2
48	1200	BVP2-048-0R1C2
54	1350	BVP2-054-0R1C2
60	1500	BVP2-060-0R1C2
72	1800	BVP2-072-0R1C2
84	2133	BVP2-084-0R1C2



BENETECH
2245 Sequoia Dr. #300
Aurora, IL 60506

+1 (630) 844 -1300
info@benetechusa.com
www.benetechglobal.com

