

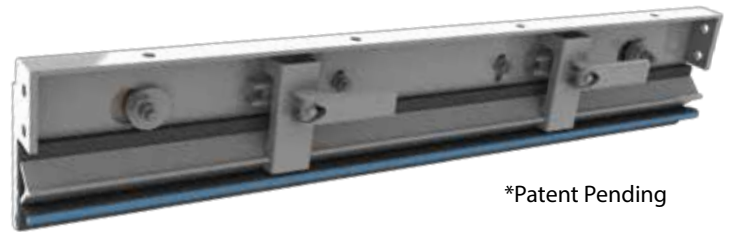
XN

BENETECH MaxZone™

Externally Adjusted, Internal Wearliner

The proven, innovative solution that offers both:

- Optimum protection for your chute work
- Ease of liner maintenance, replacement and adjustability



*Patent Pending

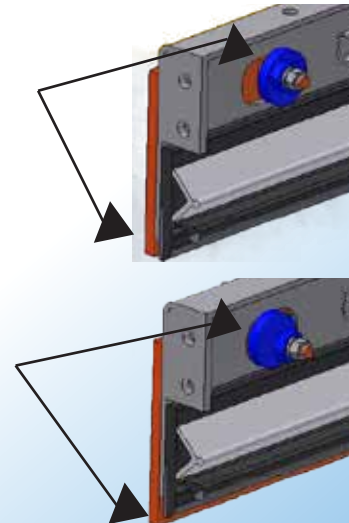
To get optimum performance from wearliners, they need to be placed inside the skirtboard. This protects the sealing system and chute work from wear and tear caused by material loading and throughput. Until now, getting inside the skirtboard to install, inspect, adjust and replace has been a difficult process.

Other ideas have been tried, such as placing the wearliner on the outside of the skirtboard. However, that only brings on new problems including exposed chute walls and the danger of material getting lodged between the chute wall and the liner.

Finally, Benetech has engineered a solution that works: *The MaxZone XN Externally Adjusted, Internal Wearliner.* The protective liner is placed in the conventional position inside the skirtboard while the adjusting mechanism is accessible from the outside. External access means there is never a need to enter chute to remove liner or make adjustments.

- **Simple and quick wearliner replacements**
- **No confined entry requirements**
- **Easy visible adjustment with instant performance improvement**
- **Reduced early wear and erosion of skirt rubber**
- **Extended life of usable steel/chrome**
- **No more cutting/welding of wear liners**

- X** **External access:**
Easy maintenance & replacement
- N** **Internal wear liner:**
Protects chute wall & sealing system



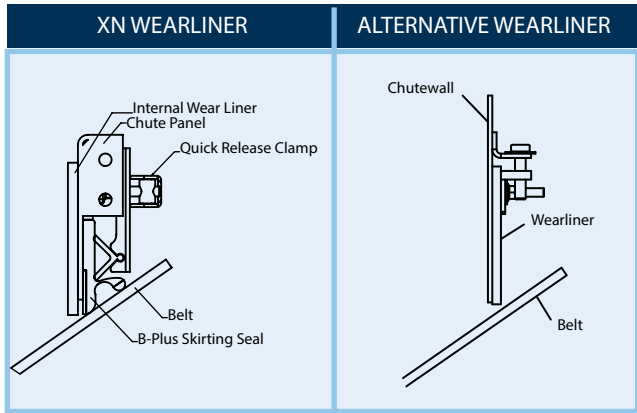
Simply turn the cams to adjust the wear liner

Adjust liner in three easy steps:

1. Loosen four liner bolts
2. Turn cams until desired height of belt is met
3. Re-tighten bolts

BENETECH®

KEY ATTRIBUTE	XN WEARLINER	ALTERNATIVE WEARLINER
INSTALLATION STEPS	✓ 3	6
CHUTE WALL LONGEVITY	✓ YES	NO
CONSISTENT ALIGNMENT TO THE BELT	✓ YES	NO
CONFINED ENTRY REQUIRED FOR ADJUSTMENTS	✓ NO	✓ NO
CLAMPS INTEGRATED	✓ YES	NO

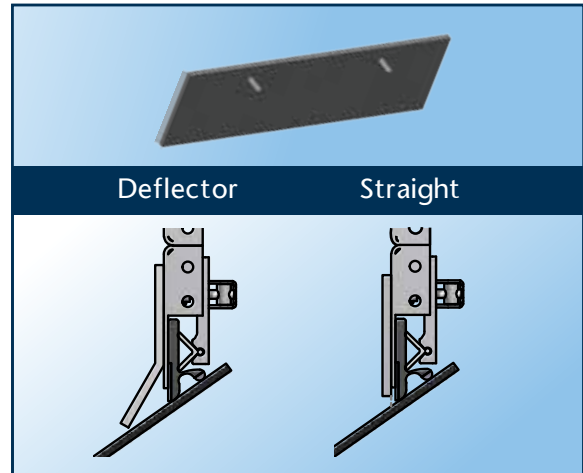


The MaxZone Shield

Protective armor for your skirtboard

Our shields extend the life and efficiency of your chute work and seal your system. Since frictional and abrasive properties vary among bulk materials and operational requirements vary among belts, we offer different liner types and materials to meet your needs.

- Liners available in straight or deflector style.
- ½" standard liner thickness
- Custom lengths and thicknesses available
- Plates available with factory-welded mounting studs for ease of installation



MaxZone Wear Liner Material Options

- | | |
|-----------|------------------|
| AR 400 | Ceramic |
| UHMW | Chromium Carbide |
| Stainless | |

*For assistance in choosing the best liner for your application, please consult your Benetech specialist.

BENETECH®

Benetech, Inc.
2245 Sequoia Drive, Suite 300,
Aurora, Illinois 60506

p: 630-844-1300
f: 630-844-8690
www.benetechglobal.com