

Engineered Transfer Systems



Dust Suppression



Dust Collection



Washdown Systems

Total Dust Management (TDM®)

ENGINEERED TRANSFER SYSTEMS

- IntelliFlo® with adjustable JGlide
- PACS Radial Air Cannons
- Advanced Transfer Chutes
- Vibrators

DUST SUPPRESSION

- Foaming Chemicals
- Wetting Agents
- Residual Chemicals
- Pile Sealer Chemicals
- Encrusting Chemicals
- Haul Road Chemicals
- Rail Car Topper Chemicals
- Application Systems
- Yard Spray System

DUST COLLECTION

- Wet Dust Extraction

WASHDOWN SYSTEMS

- Manual Valve Fixed Position Systems
- Automated Systems

CONTAINMENT

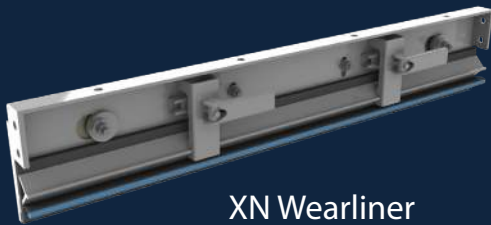
- Dust Blocker Wind Fences
- Air Control Baffles
- Magnetic Patches

SERVICES

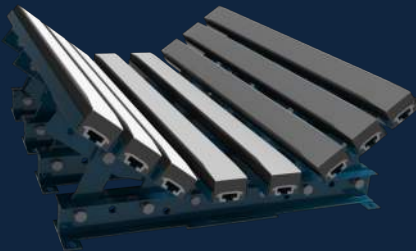
- Assessments
- Engineering
- Conveyor Maintenance



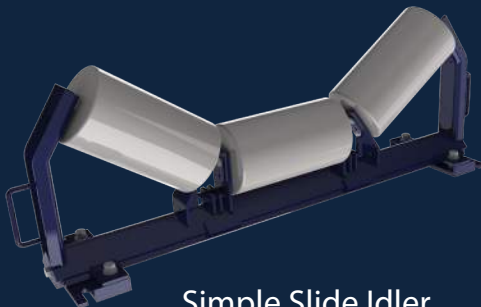
BEP1 Primary Cleaner



XN Wearliner



Warrior Impact Bed



Simple Slide Idler

BENETECH MaxClean™

◇ BELT CLEANERS

- AdvantEdge™ Replacement Blades
- Primary Cleaners
- Secondary Cleaners
- Diagonal Plow

BENETECH MaxZone™

◇ MODULAR SKIRTBOARD & BELT SUPPORT

- Clamps
- Seals
- Wear Liners
- Easy Change Dust Curtain
- Tail Seal
- Peaked Hood
- Inspection Door
- Impact & Roller Beds
- Idlers

◇ CONVEYOR ACCESSORIES

- Return Idler Basket
- Belt Tracking Idlers

Your Partner From Start...To Finish

- Reduce Dust
- Prevent Spillage
- Improve Material Flow
- Ensure Compliance