

BENETECH MaxClean™

BXS2 Secondary Belt Cleaner

The Benetech MaxClean product line is designed to maximize user benefits and extend the life of your belt conveyors.

Key Features & Benefits:

1. 4" blade with built-in Torsion Arm Segments™

Benefits:

- Torsion Arm Segment allows blade movement to clean even worn belts
- 4" width allows blades to independently follow contours of the belt
- Built-in shields keep blades free of material buildup

2. Exclusive dual torsion system

Benefits:

- Torsion Arm Segments in each blade keep blade pressure consistent and allow blades to respond/react individually
- Torsion Arm Tensioners provide extra shock absorption when needed

3. Dual torsion arm tensioners

Benefits:

- Preloads the independent blade segments
- Requires minimal blade retensioning maintenance
- Easy-to-adjust threaded rods set optimum blade tension
- Adjustment can be done safely from the sides of the conveyor

4. Tungsten carbide tipped blades

Benefits:

- Provide superior cleaning efficiency
- Premium tungsten carbide tip provides exceptional cleaning performance and wear life

5. Model for reversing belts

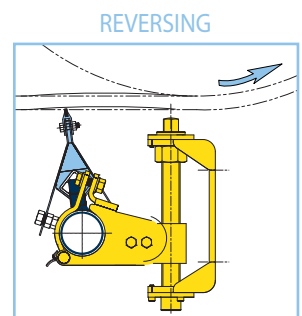
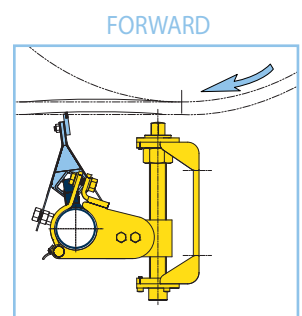
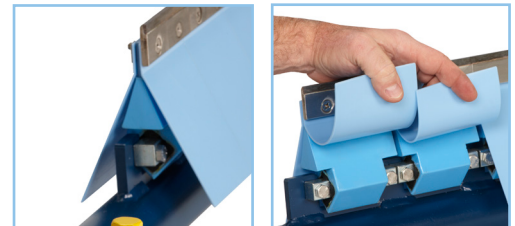
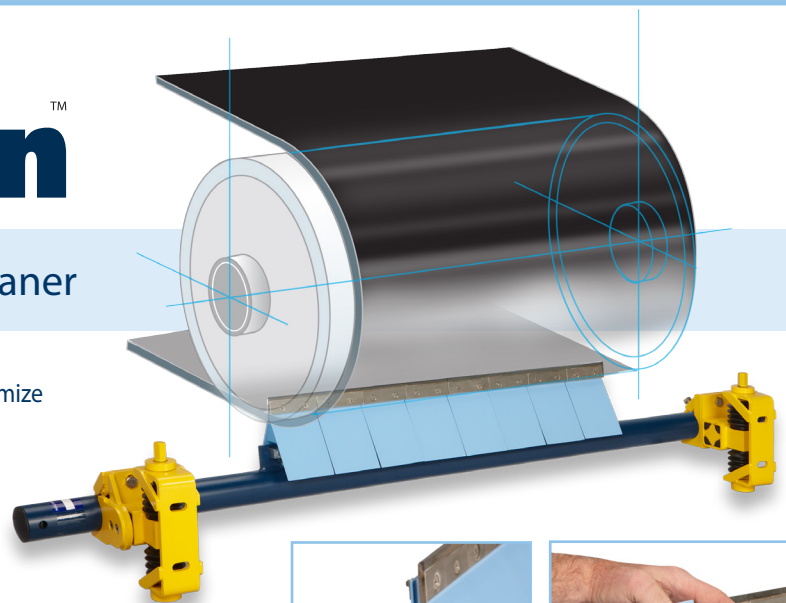
Benefits:

- One cleaner does the job on belts that run in both directions
- Order the BXS2R for reversing belts

6. Optimized for vulcanized belts in bulk material handling applications

Benefits:

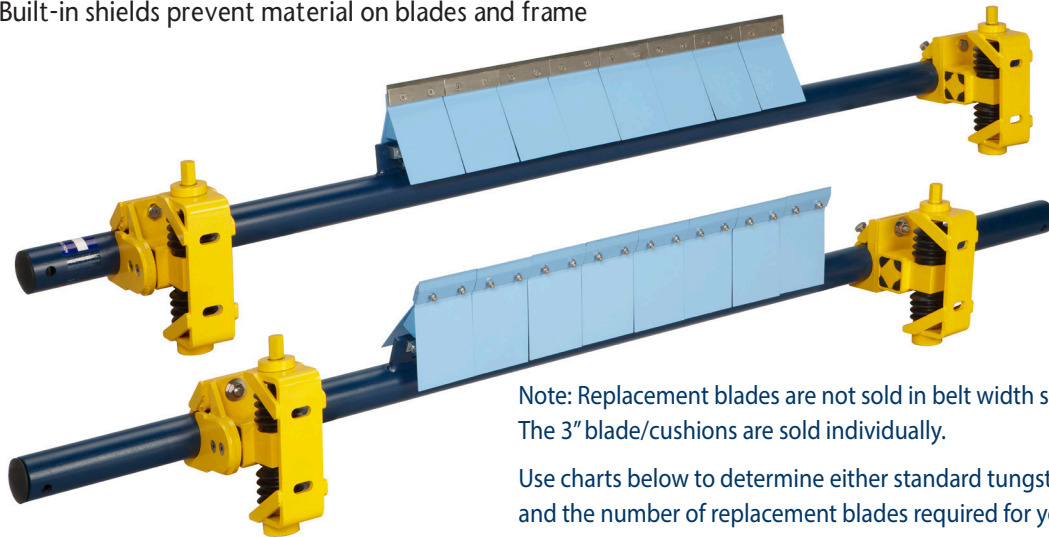
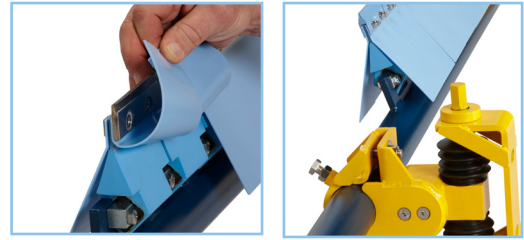
- Focused on high performance in coal-fired power plants, steel mills, ports, cement plants and mining
- Years of application knowledge and experience from the Benetech team
- Best in Class design and technology



BXS2 Secondary Belt Cleaner

Unique Blade Design

- Tungsten Carbide Tip for superior cleaning and long wear
- Built-in Torsion Arm Segment to allow consistent blade-to-belt contact, even on belts with worn top covers
- 4" segments independently work with the contours of the belt
- Built-in shields prevent material on blades and frame



Note: Replacement blades are not sold in belt width sizes. The 3" blade/cushions are sold individually.

Use charts below to determine either standard tungsten or reversing tungsten and the number of replacement blades required for your belt width

BXS2 w/Tungsten Carbide Blade Ordering Information

Belt Width in.	mm.	Cleaner Ordering Number	No. of Blades Req.	Tungsten Blade Number
18	457	BXS2-018-1T11Z	4	BXS2T
24	610	BXS2-024-1T11Z	5	BXS2T
30	762	BXS2-030-1T11Z	7	BXS2T
36	914	BXS2-036-1T11Z	8	BXS2T
42	1067	BXS2-042-1T12Z	10	BXS2T
48	1219	BXS2-048-1T12Z	11	BXS2T
54	1372	BXS2-054-1T13Z	13	BXS2T
60	1524	BXS2-060-1T13Z	15	BXS2T
72	1829	BXS2-072-1T13Z	17	BXS2T
84	2134	BXS2-084-1T13Z	21	BXS2T

BXS2 Tungsten Carbide Reversing Blade Ordering Information

Belt Width in.	mm.	Cleaner Ordering Number	No. of Blades Req.	Reversing Blade Number
18	457	BXS2-018-1T21Z	4	BXS2R
24	610	BXS2-024-1T21Z	5	BXS2R
30	762	BXS2-030-1T21Z	7	BXS2R
36	914	BXS2-036-1T21Z	8	BXS2R
42	1067	BXS2-042-1T22Z	10	BXS2R
48	1219	BXS2-048-1T22Z	11	BXS2R
54	1372	BXS2-054-1T23Z	13	BXS2R
60	1524	BXS2-060-1T23Z	15	BXS2R
72	1829	BXS2-072-1T23Z	17	BXS2R
84	2134	BXS2-084-1T23Z	21	BXS2R



Global Headquarters Benetech, Inc.
 2245 Sequoia Drive, Suite 300,
 Aurora, Illinois 60506
 USA

p: +1-630-844-1300
 f: +1-630-844-8690
www.benetechglobal.com